

PUNCHERS & BENDERS

KUDOS USA HYDRAULIC PUNCHERS & BENDERS DRCP-559140

■ Model No. **DRCP-559140**

Length : 111 cm

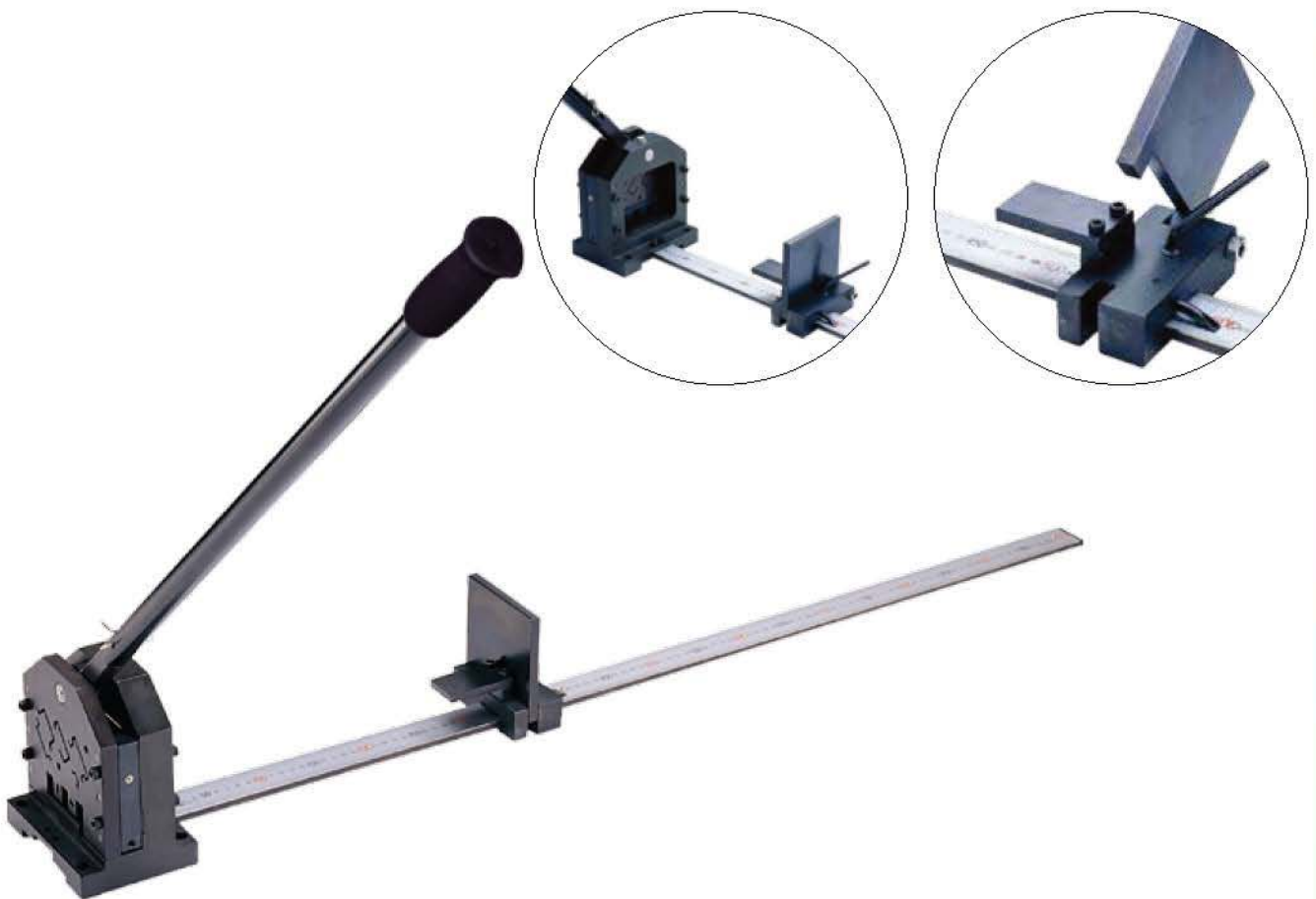
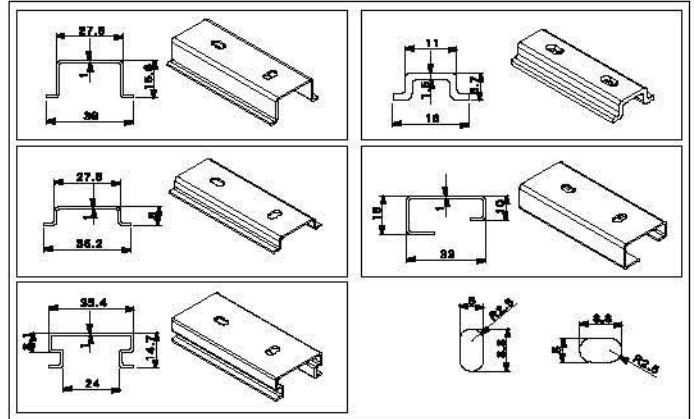
Weight : 12 kgs

■ Cutting Capacity:

- Suitable for cutting 5 different shapes of DIN-rail sections without burrs or deformation.
- Ruler and Stopper are supplied with this tool.
- This tool can punch 8.8 mm x 5 mm holes along or perpendicular to the axis of the rail.

■ Features:

- Fast and easy cutting of DIN-rails for mounting electric components free of burrs.
- Delivered complete with a length stop gauge and punch set for mounting-holes.



KUDOS USA HYDRAULIC PUNCHERS & BENDERS DRCP-559140

